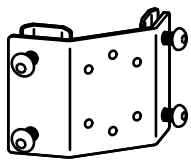
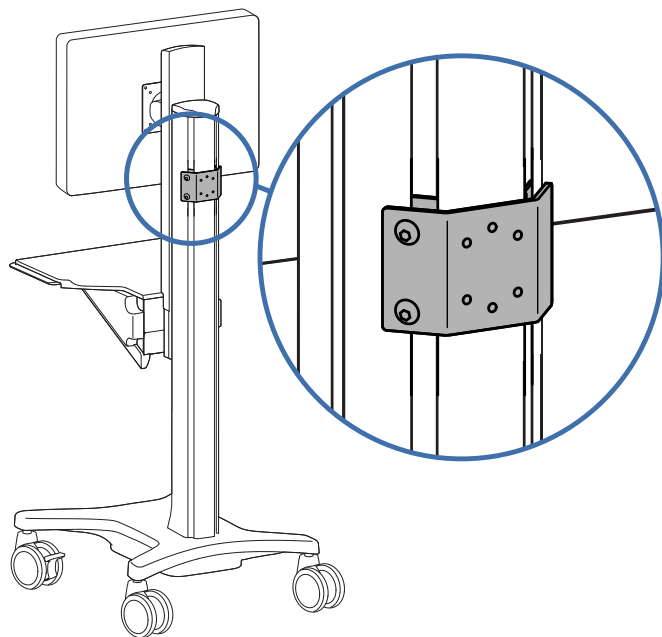


T-Slot Interface Bracket



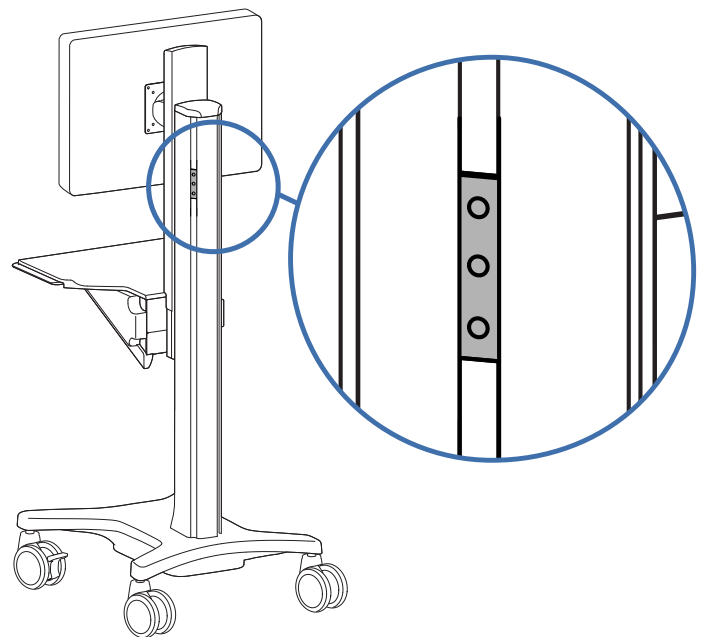
T-Slot Interface Bracket
Soporte de interfaz T-Slot
Applique d'interface à rainure en T
T-Slot Schnittstellenbügel
Aanpassing voor beugel met T-gleuf
Staffa interfaccia T-Slot
T-スロットインターフェイス
スブラケット
T型槽接口托板
T



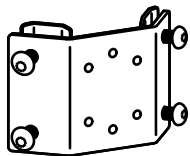
Light Duty T-Slot Bracket



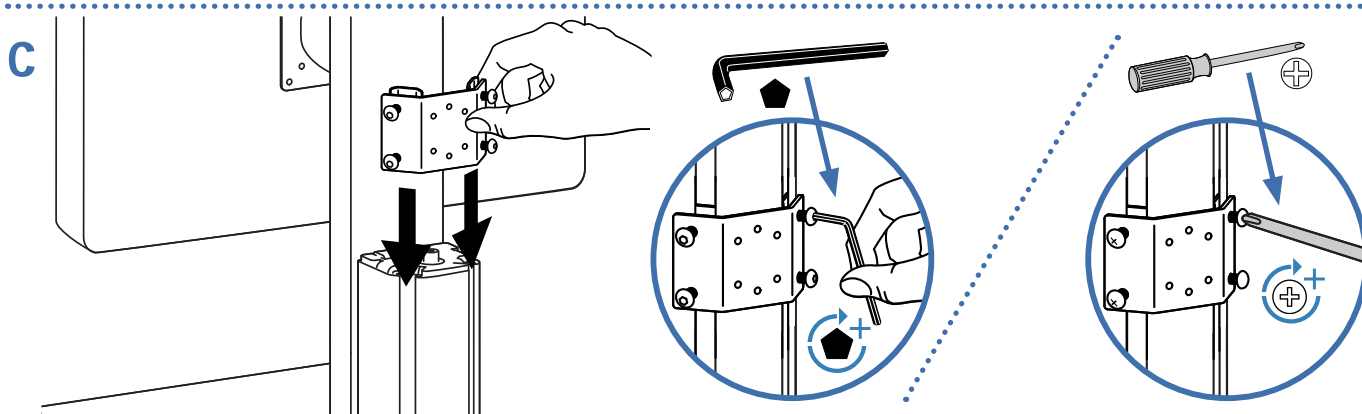
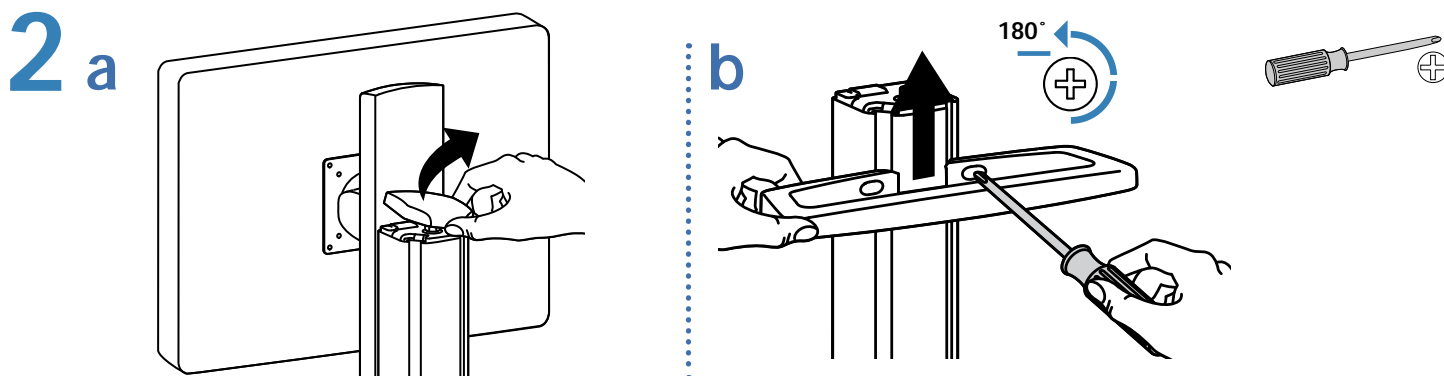
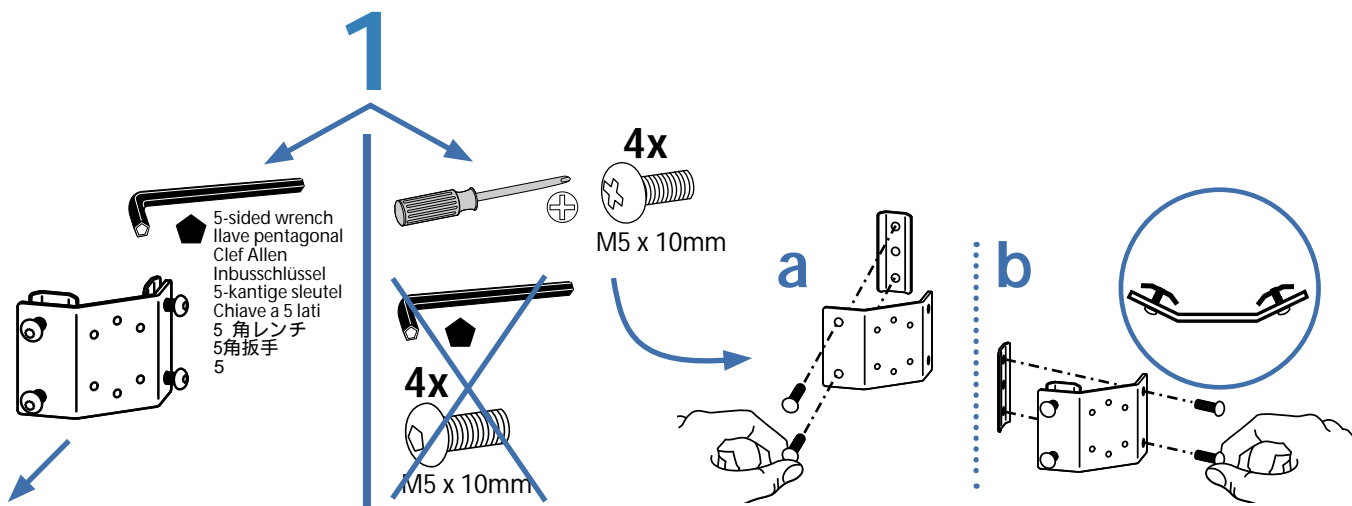
Light Duty T-Slot Bracket
Soporte T-Slot para pesos ligeros
Applique à rainure en T pour usage léger
T-Slot-Bügel für leichte Belastung
Lichte beugel met T-gleuf
Staffa T-Slot Light Duty
ライトデューティー T-スロット
トブラケット
轻型T形槽托板
T



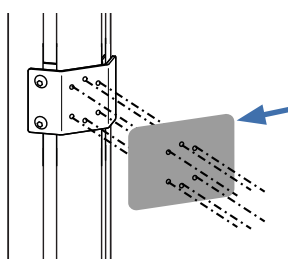
T-Slot Interface Bracket



T-Slot Interface Bracket
 Soporte de interfaz T-Slot
 Applique d'interface à rainure en T
 T-Slot Schnittstellenbügel
 Aanpassing voor beugel met T-gleuf
 Staffa interfaccia T-Slot
 T-スロットインターフェイスブラケット
 T型槽接口托板
 T



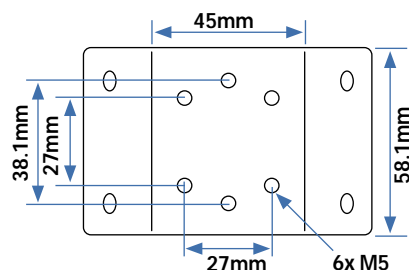
3



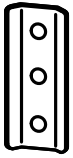
Customer Component
 Componente del cliente
 Composant du client
 Kundenkomponente
 Klantcomponent
 Componente cliente
 顧客部品
 用户元件



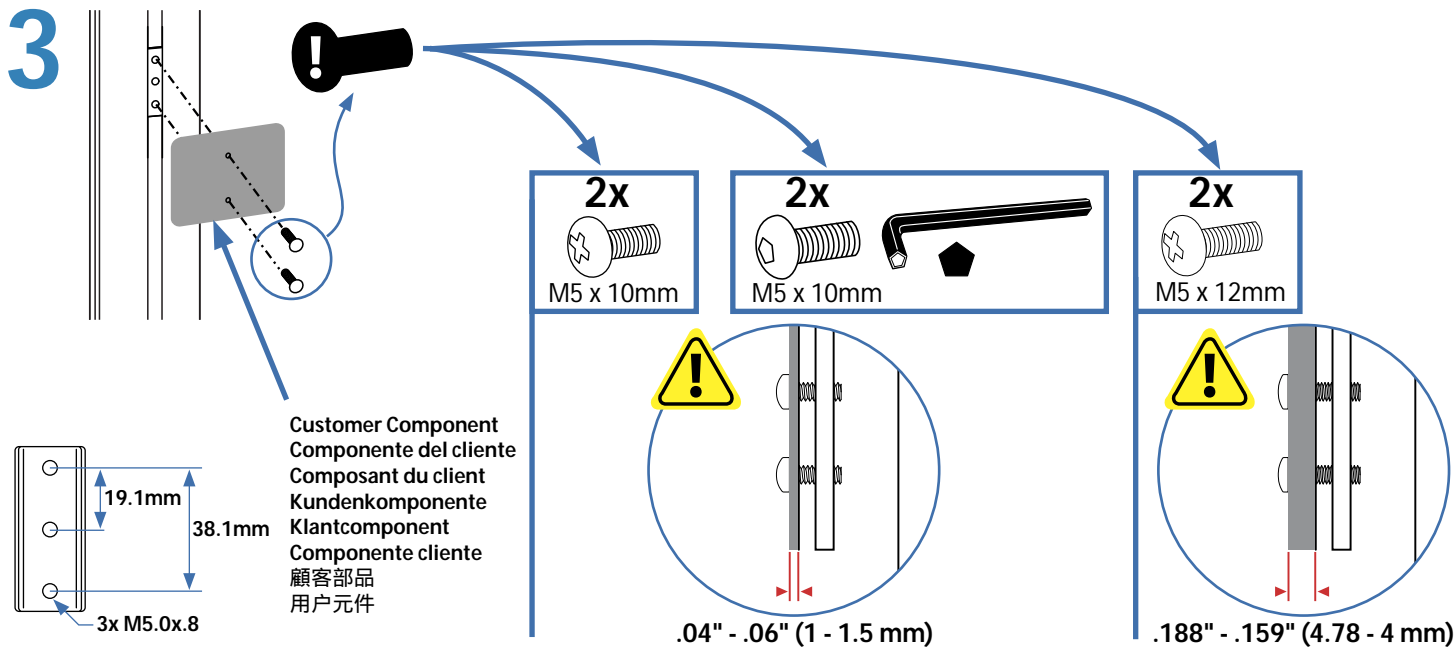
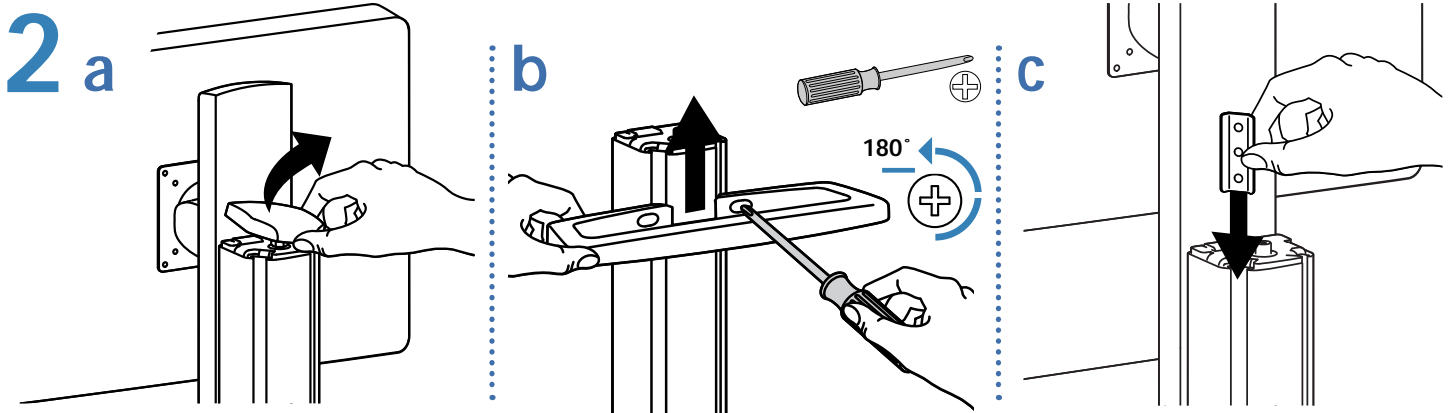
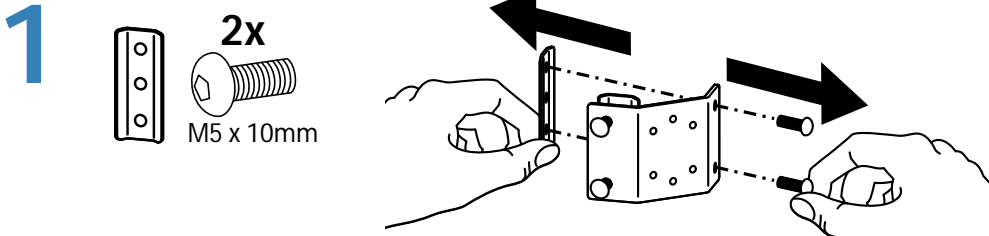
Customer supplied fasteners
 Tornilleria suministrada por el cliente
 Attaches fournies par le client
 Fixadores fornecidos ao cliente
 Vom Kunden beigestellte Halterungen.
 Door klant geleverde gespen
 Dispositivi di fissaggio forniti dal cliente
 ユーザーが用意する留金
 客户提供的紧固件



Light Duty T-Slot Bracket



Light Duty T-Slot Bracket
 Soporte T-Slot para pesos ligeros
 Applique à rainure en T pour usage léger
 T-Slot-Bügel für leichte Belastung
 Lichte beugel met T-gleuf
 Staffa T-Slot Light Duty
 ライトデューティー T-スロットブラケット
 轻型T形槽托板



ERGOTRON
 © 2007 Ergotron, Inc. All rights reserved.
 While Ergotron, Inc. makes every effort to provide accurate and complete information on the installation and use of its products, it will not be held liable for any editorial errors or omissions (including those made in the process of translation from English to another language), or for incidental, special or consequential damages of any nature resulting from furnishing this instruction and performance of equipment in connection with this instruction. Ergotron, Inc. reserves the right to make changes in the product design and/or product documentation without notification to its users. For the most current product information, or to know if this document is available in languages other than those herein, please contact Ergotron. No part of this publication may be reproduced, stored in a retrieval system, or transmitted in any form or by any means, electronic, mechanical, photocopying, recording or otherwise without the prior written consent of Ergotron, Inc., 1181 Trapp Road, Eagan, Minnesota, 55121, USA. Patents Pending and Patented U.S. & Foreign. Ergotron is a registered trademark of Ergotron, Inc.

Americas Sales and Corporate Headquarters
 St. Paul, MN USA
 (800) 888-8458
 +1-651-681-7600
 www.ergotron.com
 sales@ergotron.com

EMEA Sales
 Amersfoort, The Netherlands
 +31 33 45 45 600
 www.ergotron.com
 info.eu@ergotron.com

APAC Sales
 Singapore
 www.ergotron.com
 info.apac@ergotron.com

Worldwide OEM Sales
 www.ergotron.com
 info.apac@ergotron.com

