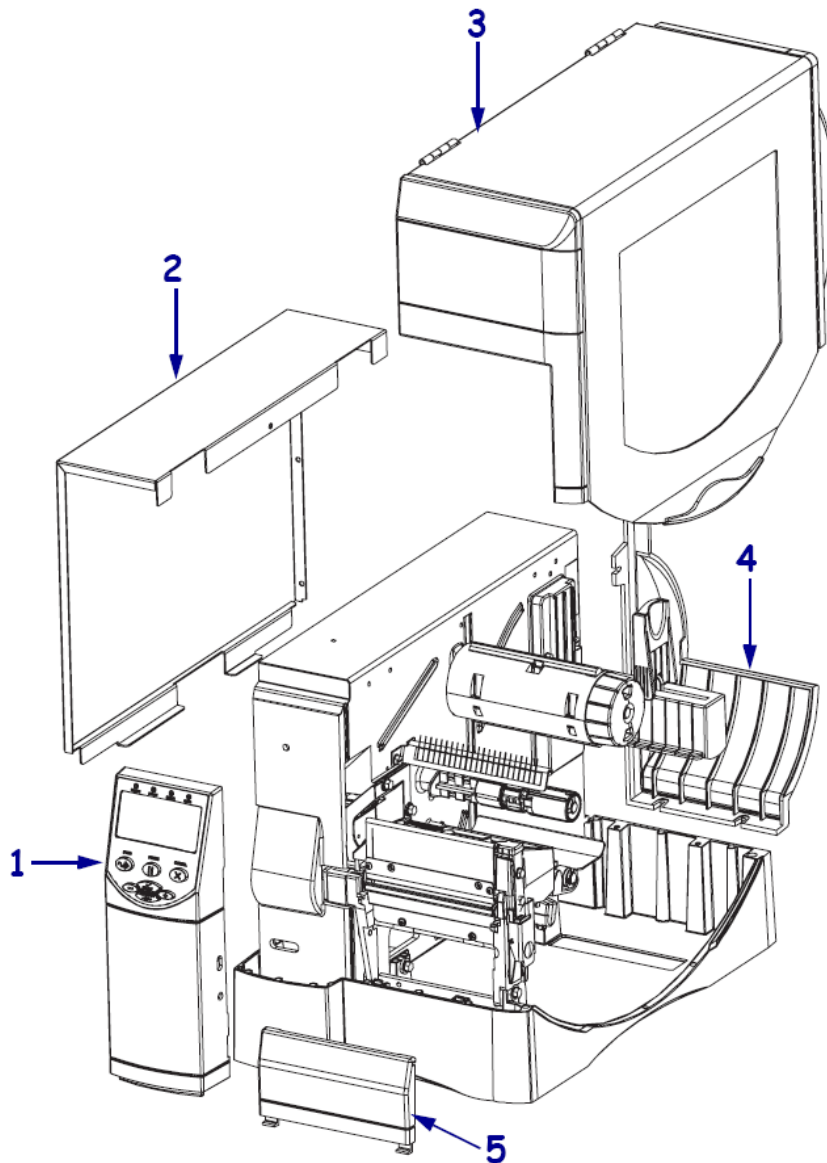
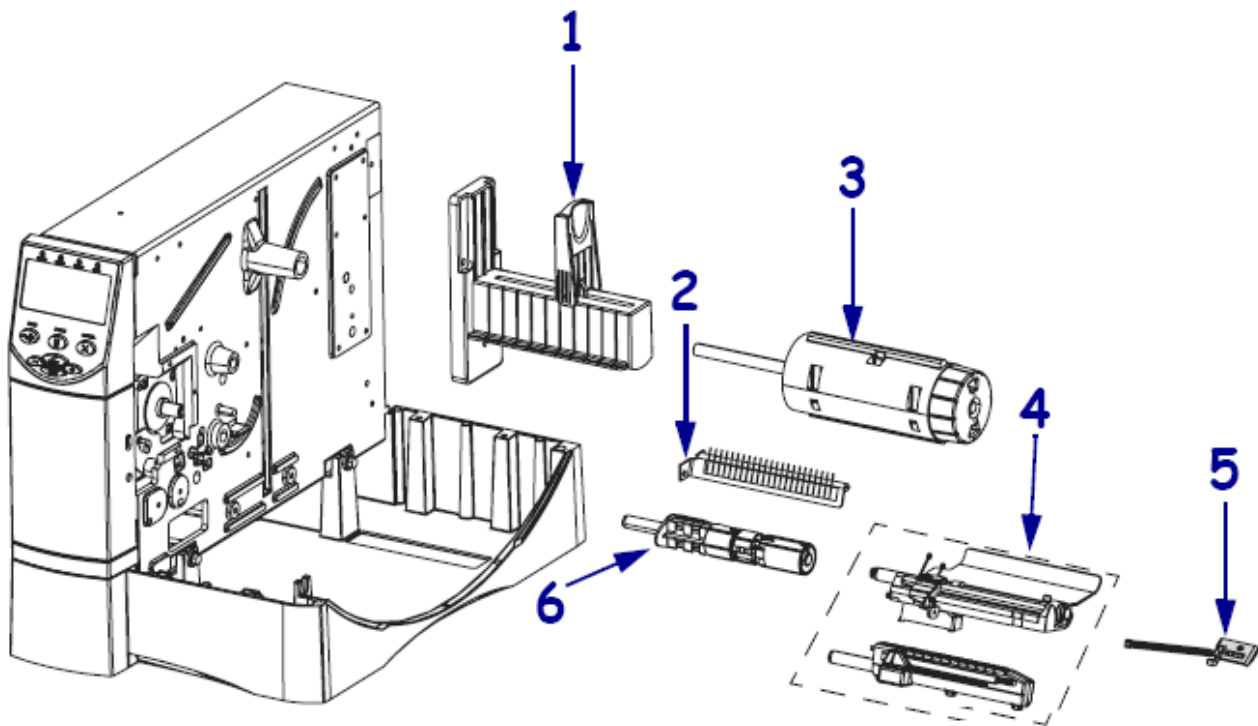


**Outer Casing Components**



Item Number	Description	Part Number	Kit Quantity
1	Kit Control Panel ZMx00 Series	79825M	1
2	Kit Electronics Cover ZMx00 Series	79826M	1
3	Kit Media Cover ZM400	79833M	1
3	Kit Media Cover ZM600	79834M	1
4	Kit Rear Lower Cover ZM400	79858M	1
4	Kit Rear Lower Cover ZM600	79859M	1
5	Kit Front Lower Cover ZM400	79856M	1
5	Kit Front Lower Cover ZM600	79857M	1
	Kit Media Window ZMx00 Series	79863M	1

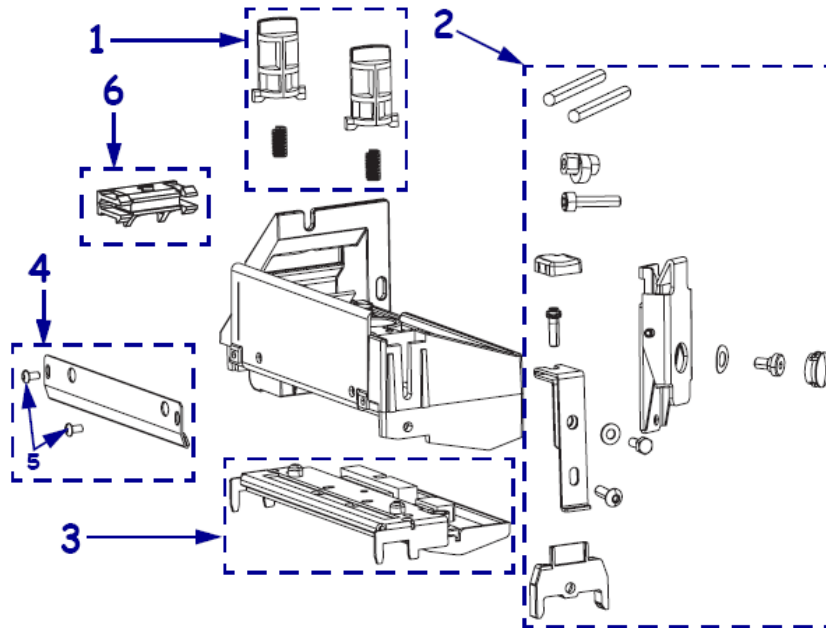
**Media Sensors – Ribbon System – Media Hanger**



Item Number	Description	Part Number	Kit Quantity
1	Kit Media Hanger ZM400 for serial numbers less than 08J112501799	79839M	1
1	Kit Media Hanger ZM600 for serial numbers less than 08J112501799	79840M	1
1	Kit Media Hanger ZM400 for serial numbers greater than 08J112501799	P1030397	1
1	Kit Media Hanger ZM600 for serial numbers greater than 08J112501799	P1030398	1
2	Kit Ribbon Static Brush ZM400	79854M	1
2	Kit Ribbon Static Brush ZM600	79855M	1
3	Kit Ribbon Take-Up Spindle Assy Kit ZM400	G77100M	1
3	Kit Ribbon Take-Up Spindle Assy Kit ZM600	G77117M	1
4	Kit Media Sensor ZM400	79848M	1
4	Kit Media Sensor ZM600	79849M	1
5	Kit Ribbon Out/Head Open Sensor ZMx00 Series	79821M	1
6	Kit Ribbon Supply Spindle ZM400	79828M	1
6	Kit Ribbon Supply Spindle ZM600	79829M	1
6	Kit Ribbon Supply Spindle for Ribbons Coated Inside ZM400 only	79830M	1
Not Shown	Kit Media Shelf ZM400	79869M	1
Not Shown	Kit Media Shelf ZM600	79870M	1

ZMx00 Series Parts Catalog

Print Mechanism Components



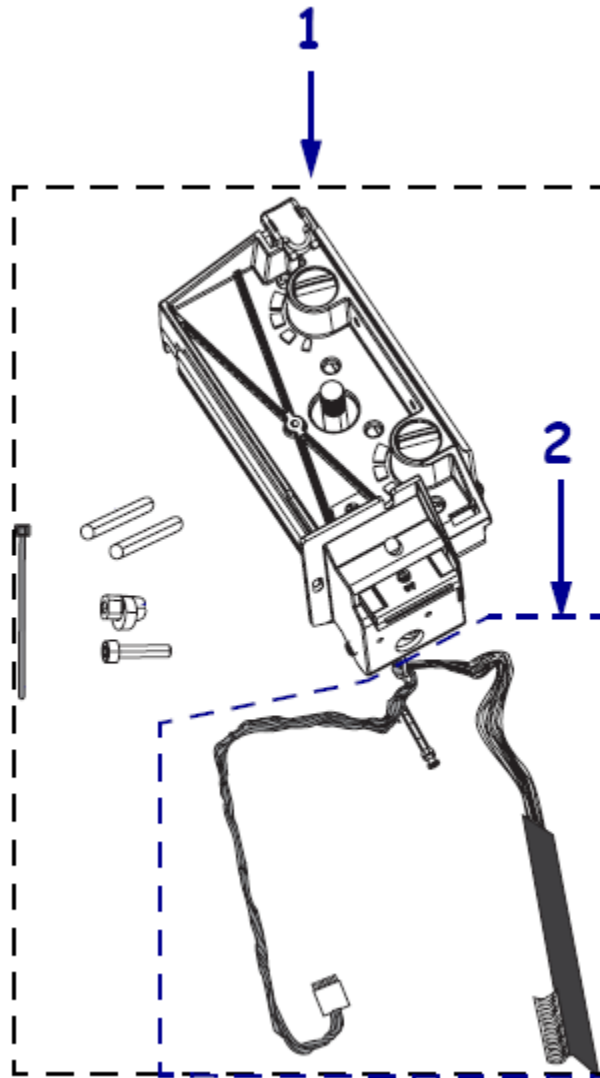
Item Number	Description	Part Number	Kit Quantity
1	Kit Pressure Dials and Springs ZM400	G77172M	2
1	Kit Pressure Dials and Springs ZM600	77172-6M	2
2	Kit Print Mechanism Latch ZMx00 Series	79819M	1
3	Kit Printhead 203 dpi ZM400	79800M	1
3	Kit Printhead 300 dpi ZM400	79801M	1
3	Kit Printhead 600 dpi ZM400	79802M	1
3	Kit Printhead 203 dpi ZM600	79803M	1
3	Kit Printhead 300 dpi ZM600	79804M	1
4	Kit Ribbon Strip Plate ZM400	79860M	1
4	Kit Ribbon Strip Plate ZM600	79861M	1
5	Screw M3 X 0.5 X 6 Bag of 25	HW78809	25
6	Kit Print Mechanism Magnet ZMx00 Series	79845M	1

Printhead dpi conversion kits

Item Number	Description	Part Number	Kit Quantity
	Kit Convert 600 dpi OR 300 dpi to 203dpi ZM400	79805	1
	Kit Convert 203 dpi OR 600 dpi to 300dpi ZM400	79806	1
	Kit Convert 203 dpi OR 300 dpi to 600dpi ZM400	79807	1
	Kit Convert 203 dpi to 300 dpi ZM600	79808	1
	Kit Convert 300 dpi to 203 dpi ZM600	79809	1

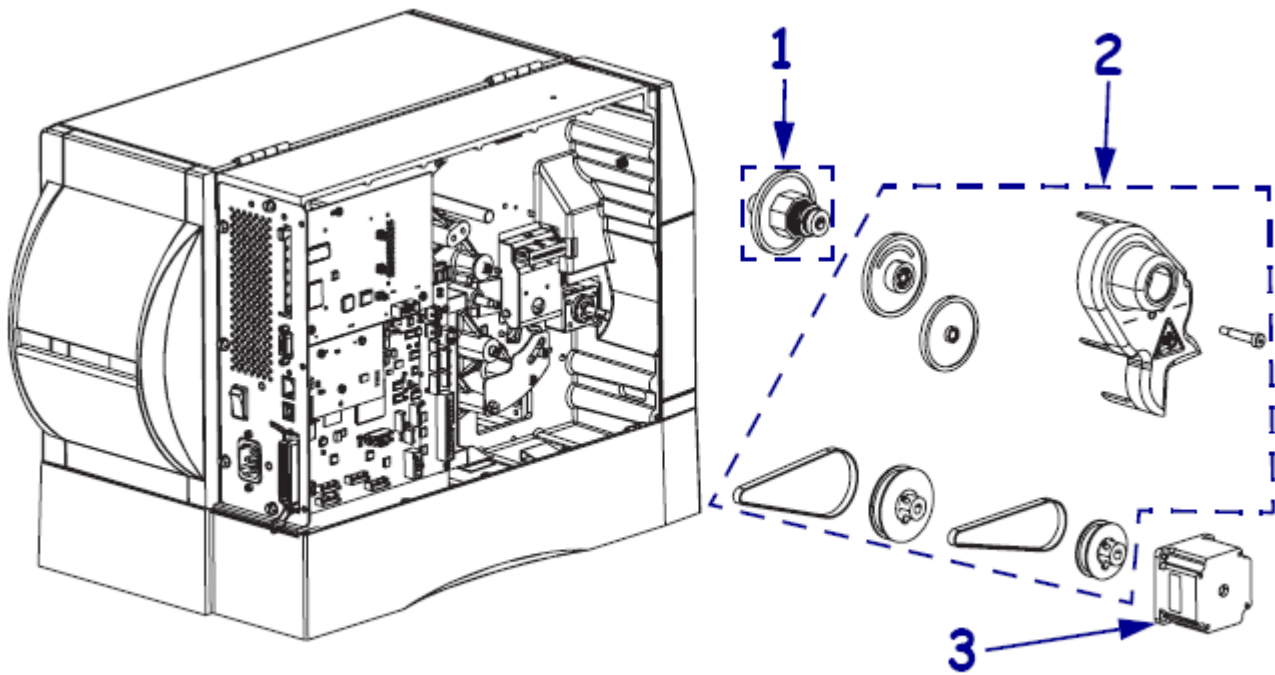
ZMx00 Series Parts Catalog

Entire Print Mechanism



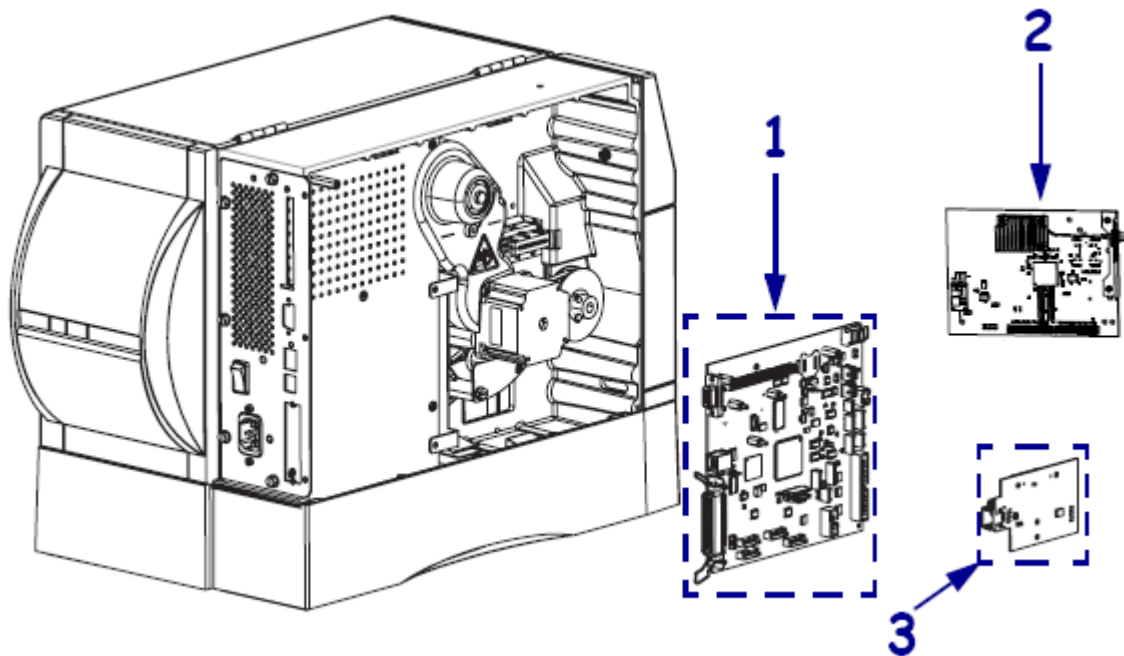
Item Number	Description	Part Number	Kit Quantity
1	Kit Printhead Mechanism & 203 dpi Printhead ZM400	79810M	1
1	Kit Printhead Mechanism & 300 dpi Printhead ZM400	79811M	1
1	Kit Printhead Mechanism & 600 dpi Printhead ZM400	79812M	1
1	Kit Printhead Mechanism & 203 dpi Printhead ZM600	79813M	1
1	Kit Printhead Mechanism & 300 dpi Printhead ZM600	79814M	1
2	Kit Printhead Cables ZMx00 Series	79822M	1

**Drive System Components**



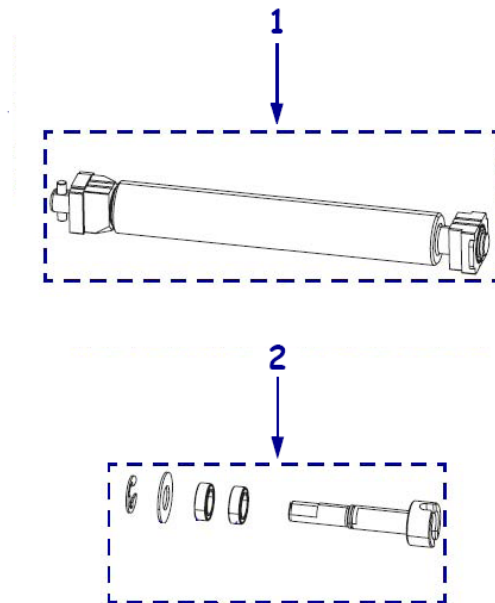
Item Number	Description	Part Number	Kit Quantity
1	Kit Ribbon Take-Up Clutch Kit ZxM+ & ZMx00	77814M	1
2	Kit Drive System ZMx00 Series (includes pulleys, gears, belts, gear cover)	79818M	1
3	Kit Stepper Motor Assy Kit ZxM+ & ZMx00	G77813M	1
	Kit Drive Belt 203 dpi ZMx00	79866M	1
	Kit Drive Belt for 300 dpi AND 600 dpi ZMx00	79867M	1

**Electronic Components**



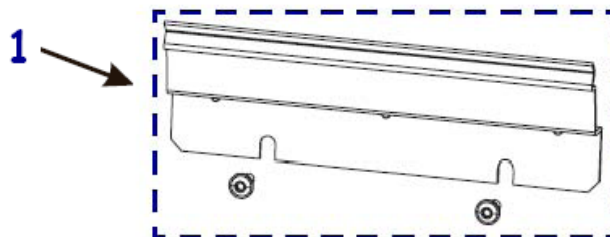
Item Number	Description	Part Number	Kit Quantity
1	Kit Main Logic Board (MLB) 8MB ZMx00 Series	79400-001M	1
1	Kit Main Logic Board (MLB) 64MB ZMx00 Series	79400-002M	1
2	Kit ZebraNet Wireless b/g Print Server	P1032271	1
	Kit Replacement Antenna for Wireless b/g Print Servers	P1032276	1
3	Kit Internal Print Server 10/100 (ethernet) ZMx00 Series	79823	1
	Kit External ZebraNet PrintServer 10/100	P1031031	1
	Kit Wireless Plus Board. In order to enable wireless functionality, a separate radio card must be purchased (not included).	29651-006M	1
	Kit Power Supply ZMx00 Series	79820M	1
	Kit Covers for Wireless Radio Slot and Ethernet Port (1 each)	79879M	1
	Kit Replacement Antenna for Internal Wireless Plus Print Servers	39538M	1
	USA Power Cord	46693	1
	Europe Power Cord	46629	1
	UK Power Cord	46637	1
	Japan Power Cord	37609	1
	China Power Cord	47612	1

**Platen Rollers**



Item Number	Description	Part Number	Kit Quantity
1	Kit Platen Roller ZM400	79815M	1
1	Kit Platen Roller ZM600	79816M	1
2	Kit Platen Coupler ZMx00 Series	79862M	1

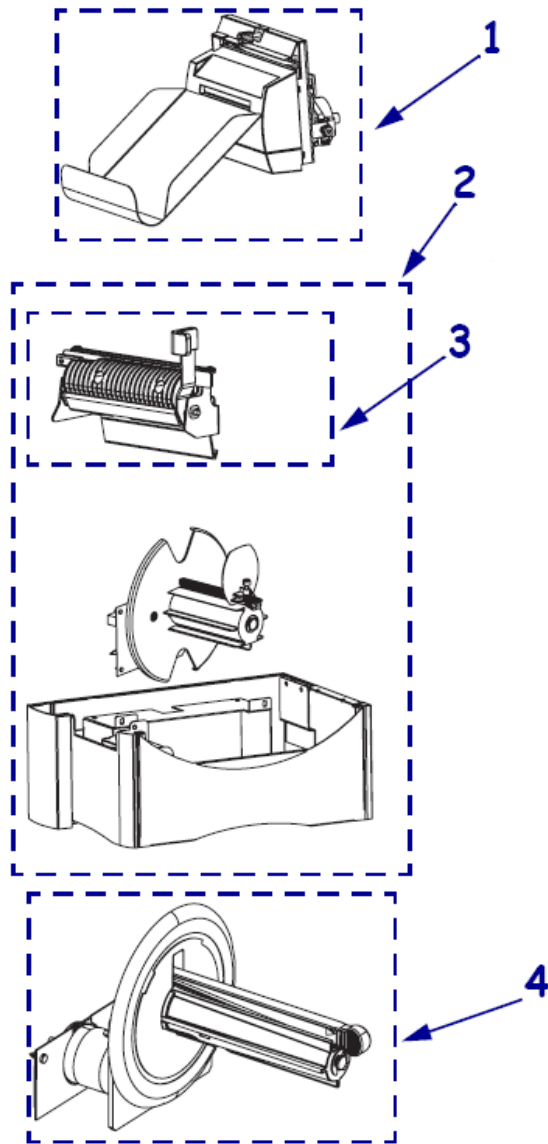
**Tear Bars**



Item Number	Description	Part Number	Kit Quantity
1	Kit Tear Bar ZM400	79837M	1
1	Kit Tear Bar ZM600	79838M	1



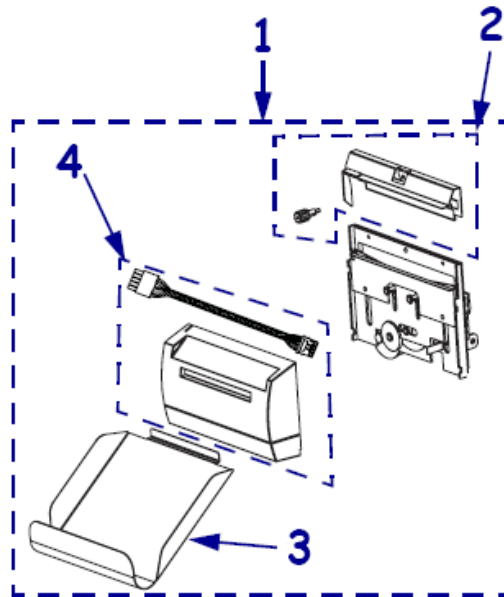
**Media Handling Options**



Item Number	Description	Part Number	Kit Quantity
1	Kit Cutter Option ZM400	79841	1
1	Kit Cutter Option ZM600	79842	1
2	Kit Option Media Rewind & Peel unit in one kit ZM400	79835	1
2	Kit Option Media Rewind & Peel unit in one kit ZM600	79836	1
3	Kit Peel Unit ZM400	79831M	1
3	Kit Peel Unit ZM600	79832M	1
4	Kit Upgrade Liner TakeUp ZM400 only (not offered on ZM600)	79868M	1



**Cutter Components**



Item Number	Description	Part Number	Kit Quantity
1	Kit Option Cutter ZM400	79841	1
1	Kit Option Cutter ZM600	79842	1
2	Kit Static Brush for the Cutter & Guard ZM400	79864M	1
2	Kit Static Brush for the Cutter & Guard ZM600	79865M	1
3	Cutter Catch Tray ZM400	77041	1
3	Cutter Catch Tray ZM600	77997	1
4	Kit Cover for the Cutter includes PCB and cutter cable ZM400	79843M	1
4	Kit Cover for the Cutter includes PCB and cutter cable ZM600	79844M	1

**Media Handling Option Repair Kits**

Item Number	Description	Part Number	Kit Quantity
	Kit Peel Unit Pinch Roller ZM400 & S4M	77197M	1
	Kit Peel Unit Pinch Roller ZM600	77727M	1
	Kit Media Rewind Outer Guards ZMx00	77459M	1
	Kit Cable Media Rewind ZMx00 Series	79827M	1
	Kit Steer Roller ZM400	G77167M	1
	Kit Steer Roller ZM600	G77168M	1
	Kit Spindle and Motor ZM400	G79026M	1
	Kit Spindle and Motor ZM600	G79026-6M	1
	Kit Rewind PCB ZM400	G34110M	1
	Kit Rewind PCB ZM600	G34111M	1
	Kit Motor and Board Assy LTU ZM400	G34112M	1



**ZMx00 Series Parts Catalog**

**Packing Materials for Printer Shipping**

Item Number	Description	Part Number	Kit Quantity
	Packing Materials Qty of 1 ZM400	77128PM	1
	Packing Materials, Bulk Qty of 10 ZM400	77128PBM	10
	Packing Materials Qty of 1 ZM600	77129PM	1
	Packing Materials, Bulk Qty of 10 ZM600	G77129PBM	10
	Packing Materials for Media Rewind versions of ZM400 Qty of 1	G77932PM	1
	Packing Materials, Bulk Qty of 10 Media Rewind versions ZM400	G77932PBM	10
	Packing Materials for Media Rewind versions of ZM600 Qty of 1	G77933PM	1
	Packing Materials Qty of 10 Media Rewind ZM600	G77933PBM	10

**Hardware**

Item Number	Description	Part Number	Kit Quantity
	Screw M4 x 0.7 x 10, Qty of 5	HW78814	5
	Screw Printhead Mounting Qty of 5	HW77047	5
	Lock Washer 4mm Bag of 25	HW43482	25
	Screw M3 x 0.5 x 6, Qty of 50	HW78805	50
	Washer Split M3, Qty of 50	HW10471	50
	E Ring Ext .375 Yel, Qty of 25	HW06313	25
	Washer FI M3, Qty of 50	HW10470	50
	Screw M4 x 0.7 x 12, Qty of 25	HW10432	25
	Washer Split M4, Qty of 25	HW45931	25
	Ground Screw Spacer, RTU Qty of 25	HW33807	25
	Screw M3 X 0.5 X 6 Bag of 25	HW78809	25
	Cable Tie (Quantity of 20)	HWQ06020	20
	Flat Washer .250 .125 .023 bag of 25	HW79041	25
	Flat Washer 4mm Bag of 25	HW78806	25
	Screw M3 x .5 x 6, Qty of 50	HW78804	50
	Screw 4-40 x .31, Qty of 25	HW78802	25
	Standoff 4-40 HEX, Qty of 25	HW32406	25
	Washer Lock #4, Qty of 100	HW45945	100
	Nut Hex M3, Qty of 25	HW10460	25
	Rubber Bumper Feet, Qty of 10	HW44014	10