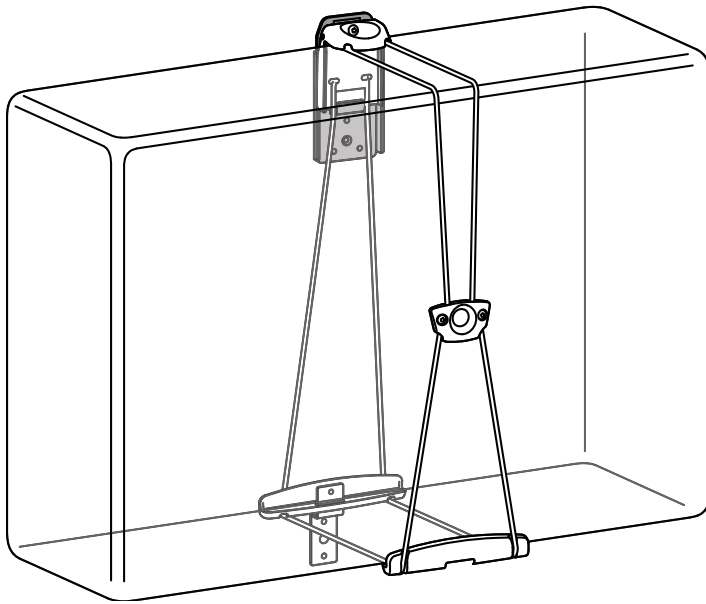


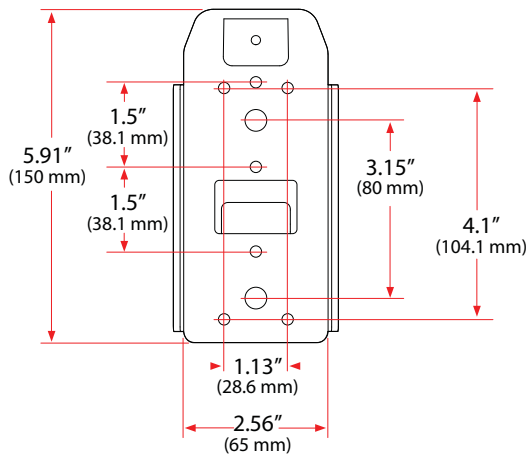
Universal CPU Holder



Overall dimensions vary based on the CPU dimensions

Weight Capacity: 50 lbs. (22.68 kg)
Maximum Size: 18" x 8.5" (457 x 216 mm)
Minimum Size: 9.4" x 2.6" (239 x 66 mm)

Top Bracket Dimensions



Bottom Bracket Dimensions

